

**PRELIMINARY  
NOT FOR CONSTRUCTION  
8-10-2023**

**EAST TENNESSEE CONTRACTORS, LLC**  
167 WEST DUMPLIN VALLEY ROAD  
KODAK, TN 37794

**20' WIDE STORAGE BUILDINGS (3)**  
**521 SOUTH CUMBERLAND**  
KNOXVILLE, TENNESSEE

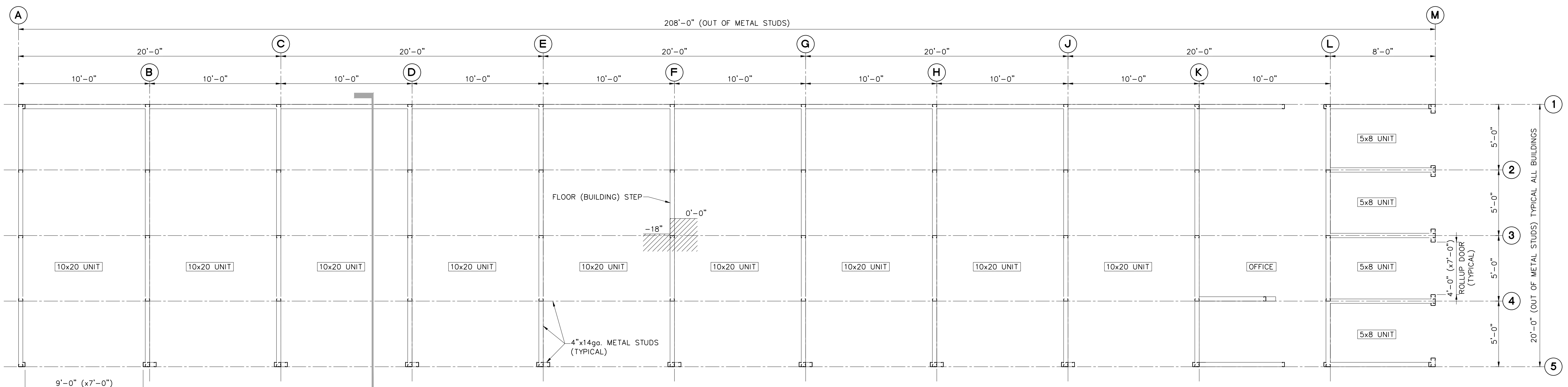
Drawn by:  
Garrie Davis  
Checked by:  
-  
Issued date:  
-

Revision	Date
-	-
-	-
-	-
-	-
-	-

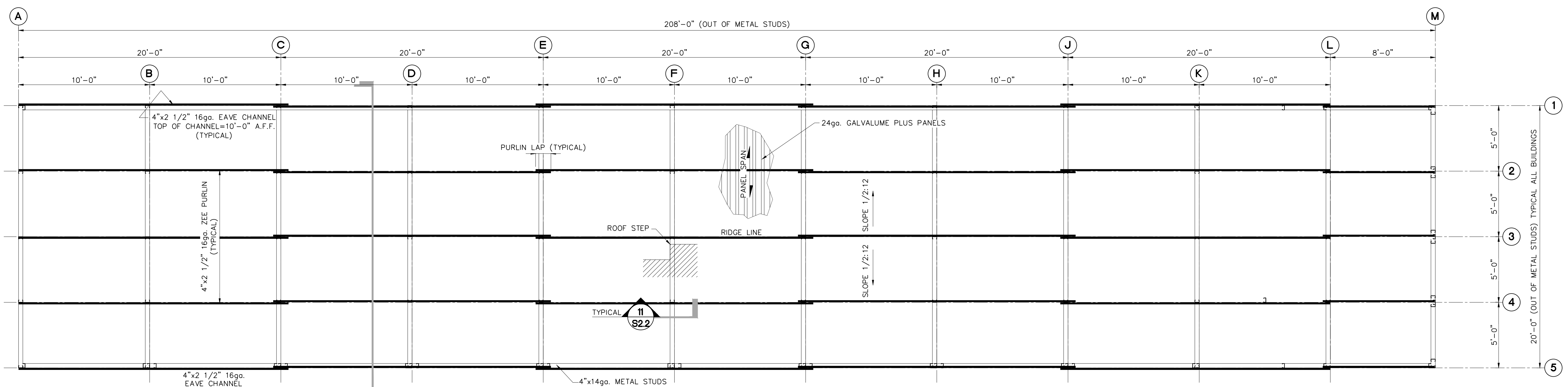
Project Number: 23003  
Electronic File: 23003  
Modified Date: 08/09/2023

**FLOOR PLAN,  
ROOF PLAN,  
ELEVATION  
BUILDING "A"**

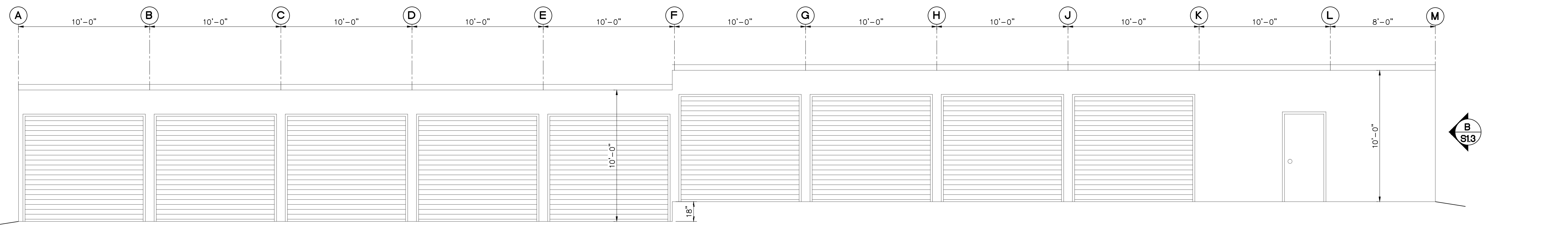
**S1.2**



**1 PLAN - BUILDING "A" FLOOR (108'x20')**  
1/4"=1'-0"  
PROJECT NORTH



**2 PLAN - BUILDING "A" ROOF (108'x20')**  
1/4"=1'-0"  
PROJECT NORTH  
NO ROOF STEP - EAST HALF OF BUILDING IS THE ROOF ELEVATION DATUM



**A ELEVATION- SOUTH WALL (NORTH WALL SIMILAR)**  
1/4"=1'-0"