

**PRELIMINARY
NOT FOR CONSTRUCTION
8-10-2023**

EAST TENNESSEE CONTRACTORS, LLC
167 WEST DUMPLIN VALLEY ROAD
KODAK, TN 37794

20' WIDE STORAGE BUILDINGS (3)
521 SOUTH CUMBERLAND
KNOXVILLE, TENNESSEE

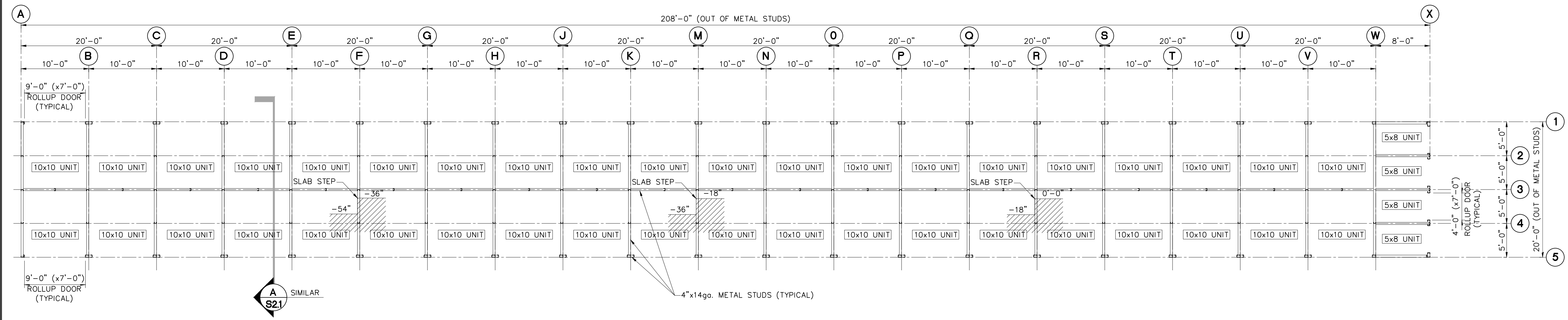
Drawn by:
Garrie Davis
Checked by:
-
Issued date:
-

Revision	Date
-	-
-	-
-	-
-	-

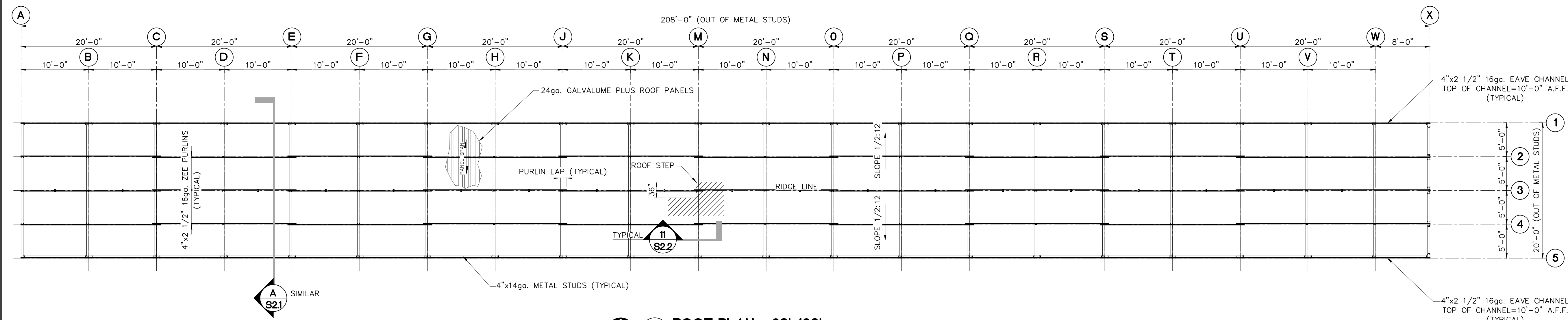
Project Number: 23003
Electronic File: 23003
Modified Date: 08/09/2023

**FLOOR PLAN,
ROOF PLAN,
ELEVATIONS
BUILDING "B"**

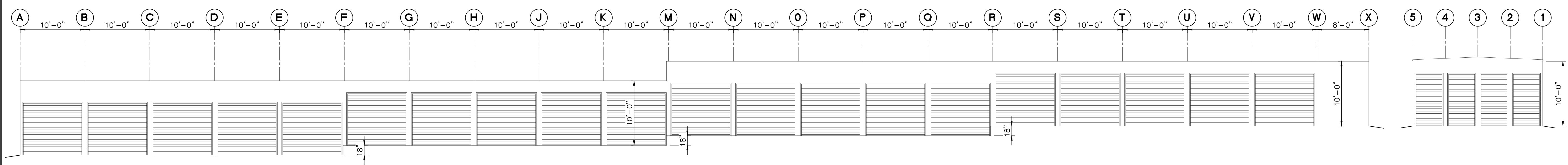
S1.3



1 FLOOR PLAN - 20'x160'
1/8"=1'-0"
PROJECT NORTH



2 ROOF PLAN - 20'x160'
1/8"=1'-0"
PROJECT NORTH



A ELEVATION- SOUTH WALL (NORTH WALL SIMILAR)
1/4"=1'-0"

B TYPICAL ENDWALL
1/4"=1'-0"