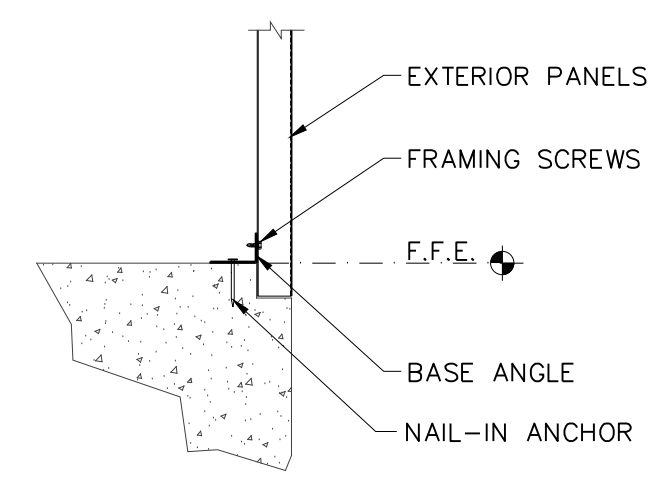
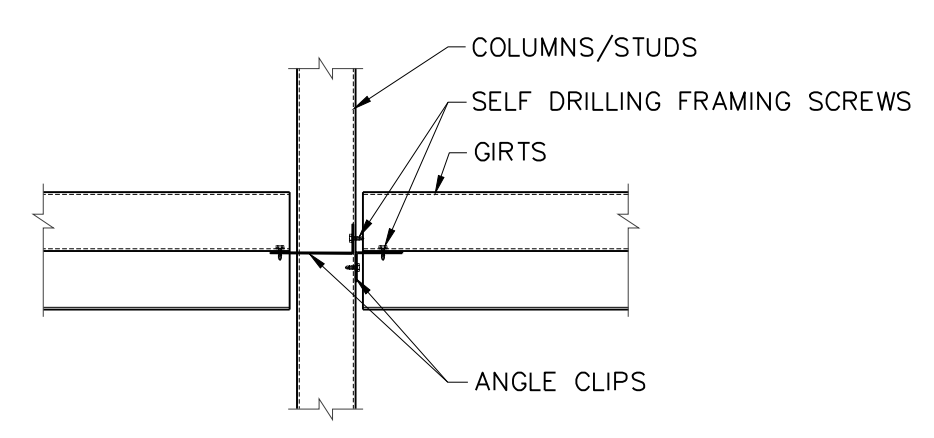


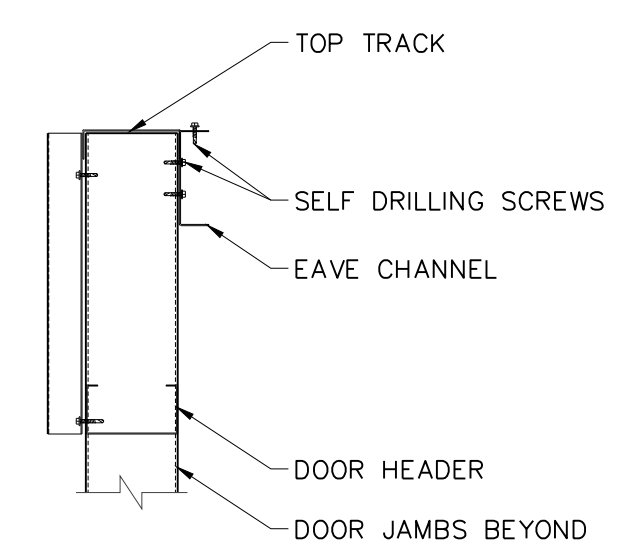
**1** **DETAIL - BASE AT ROLLUP DOOR JAMB**  
S2.2 NOT TO SCALE



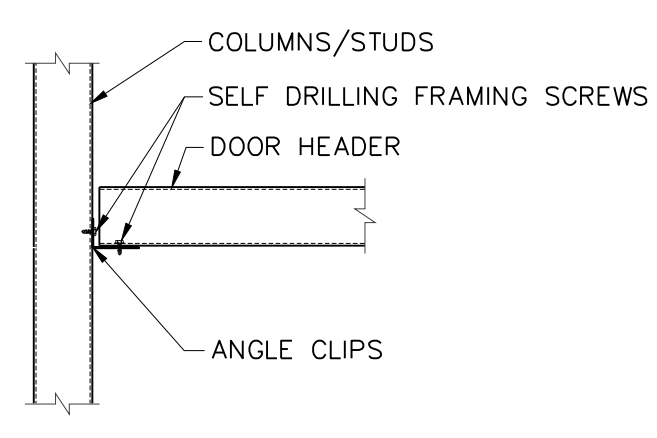
**2** **DETAIL - SHEETED WALL**  
S2.2 NOT TO SCALE



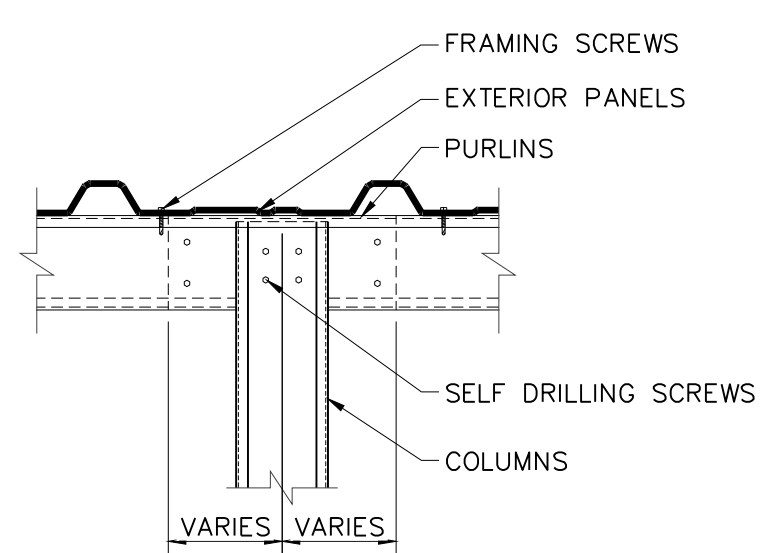
**3** **DETAIL - GIRT CONNECTION**  
S2.2 NOT TO SCALE



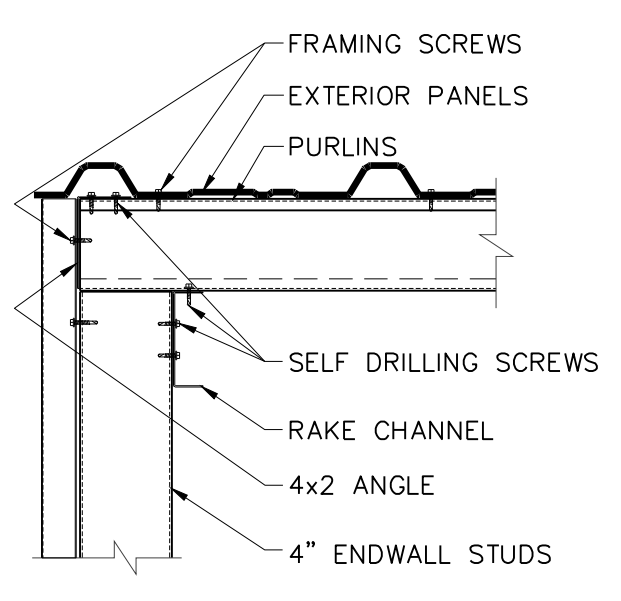
**4** **DETAIL - SIDEWALL AT ROLLUP DOORS**  
S2.2 NOT TO SCALE



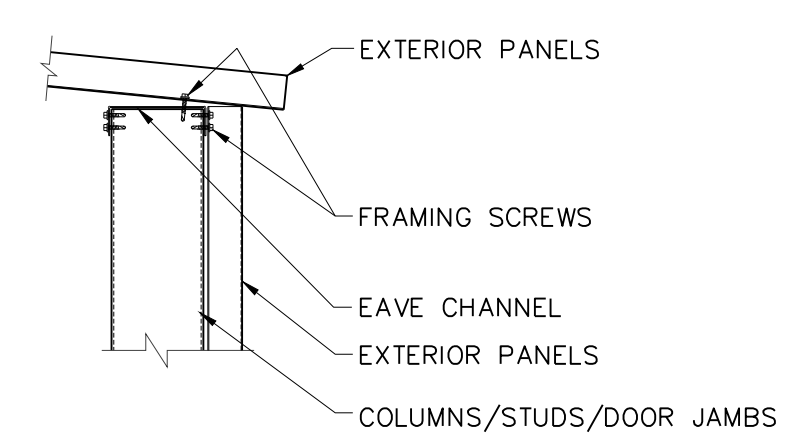
**5** **DETAIL - ROLLUP DOOR HEADER TO JAMB**  
S2.2 NOT TO SCALE



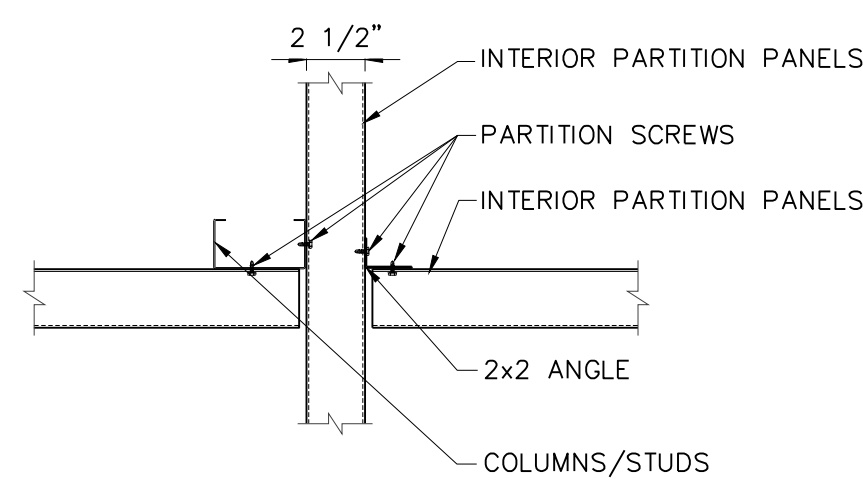
**6** **DETAIL - COLUMN TO PURLIN AT LAP**  
S2.2 NOT TO SCALE



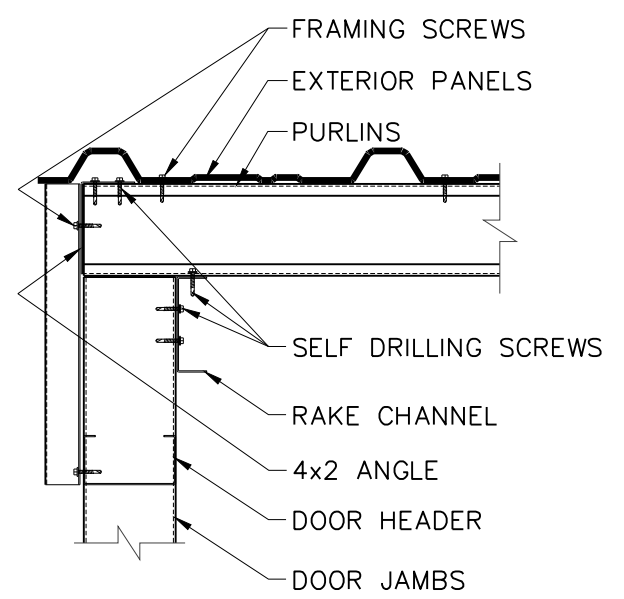
**7** **DETAIL - RAKE AT ENDWALL**  
S2.2 NOT TO SCALE



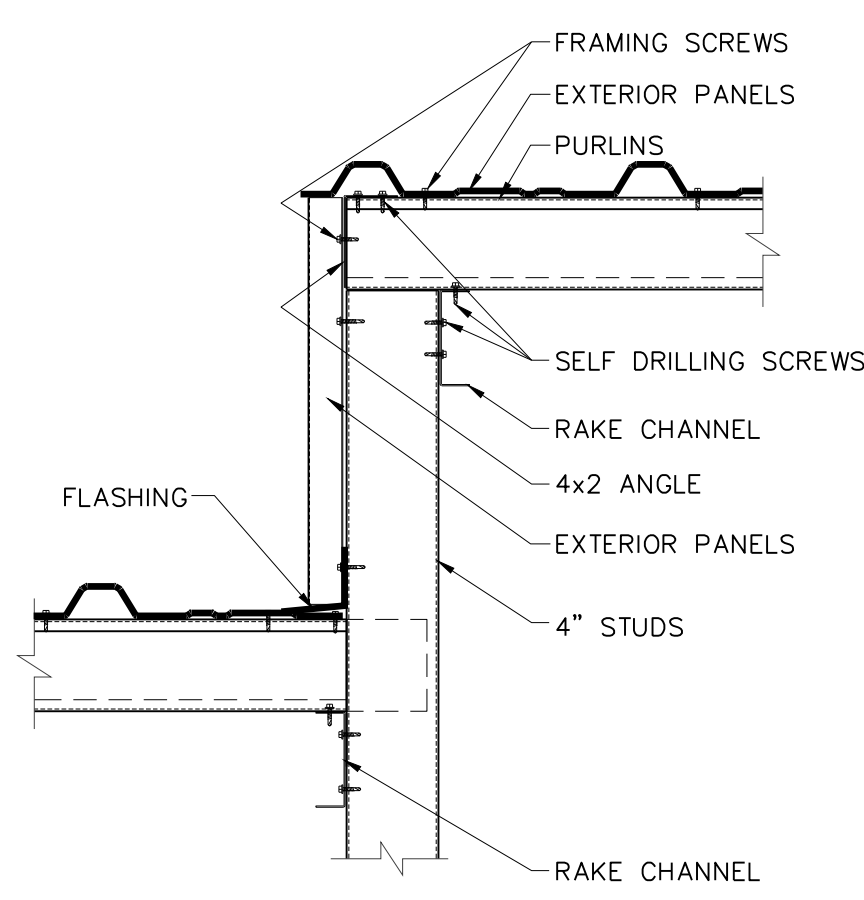
**8** **DETAIL - EAVE**  
S2.2 NOT TO SCALE



**9** **DETAIL - PARTITION**  
S2.2 NOT TO SCALE



**10** **DETAIL - ENDWALL AT ROLLUP DOORS**  
S2.2 NOT TO SCALE



**11** **DETAIL - ROOF STEP**  
S2.2 NOT TO SCALE

**PRELIMINARY**  
**NOT FOR CONSTRUCTION**  
8-10-2023

EAST TENNESSEE CONTRACTORS, LLC  
167 WEST DUMPLIN VALLEY ROAD  
KODAK, TN 37794

**20' WIDE STORAGE BUILDINGS (3)**  
**521 SOUTH CUMBERLAND**  
**KNOXVILLE, TENNESSEE**

Drawn by:  
Garrie Davis  
Checked by:  
-  
Issued date:  
-

Revision	Date
-	-

Project Number: 23003  
Electronic File: 23003  
Modified Date: 08/09/2023

TYPICAL  
WALL FRAMING  
DETAILS

**S2.2**