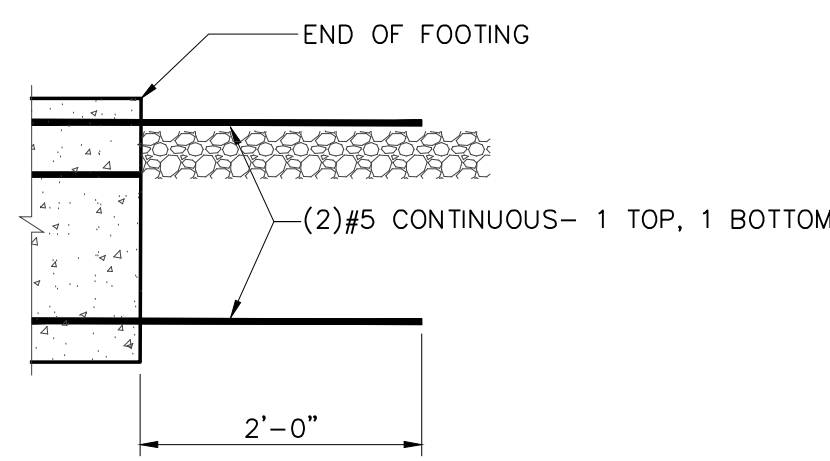
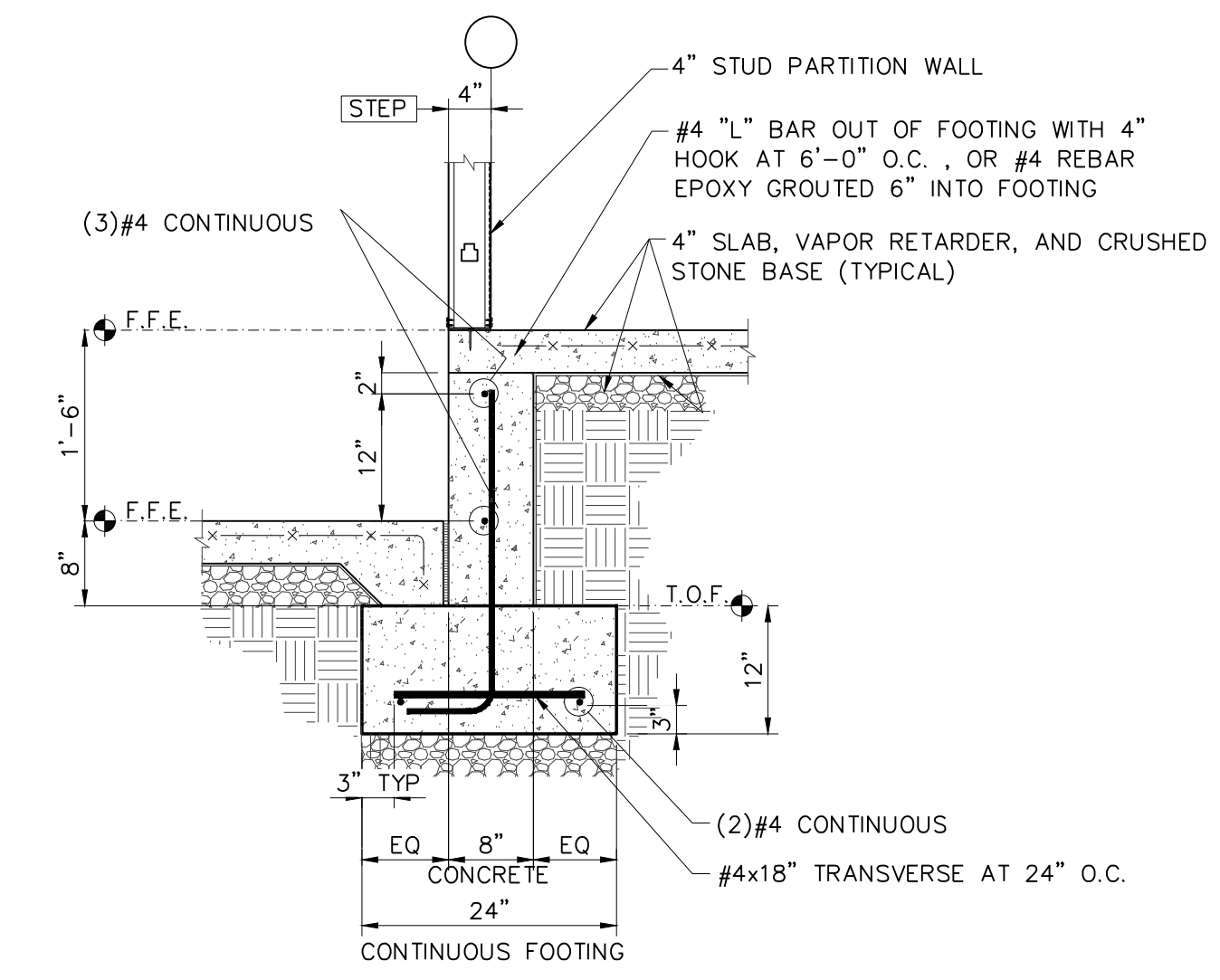


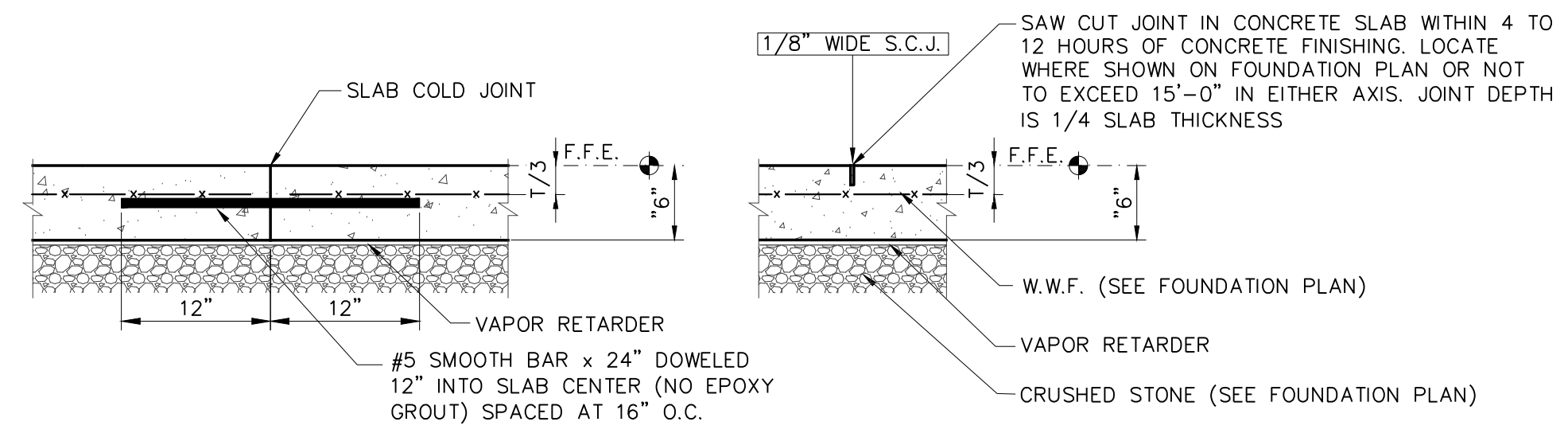
A **S3.1** **DETAIL- TURNDOWN SLAB**
3/4"=1'-0"



A1 **S3.1** **DETAIL- FOOTING CONSTRUCTION JOINT**
3/4"=1'-0" SIDE VIEW



B **S3.1** **DETAIL- TYPICAL FLOOR SLAB (BUILDING) STEP**
3/4"=1'-0"



C **S3.1** **DETAIL- SLAB JOINTS**
NOT TO SCALE

PRELIMINARY
NOT FOR CONSTRUCTION
8-10-2023

EAST TENNESSEE CONTRACTORS, LLC
167 WEST DUMPLIN VALLEY ROAD
KODAK, TN 37794

20' WIDE STORAGE BUILDINGS (3)
521 SOUTH CUMBERLAND
KNOXVILLE, TENNESSEE

Drawn by:
Garrie Davis
Checked by:
-
Issued date:
-

Revision	Date
-	-

Project Number: 23003
Electronic File: 23003
Modified Date: 08/09/2023

FOUNDATION
DETAILS

S3.1