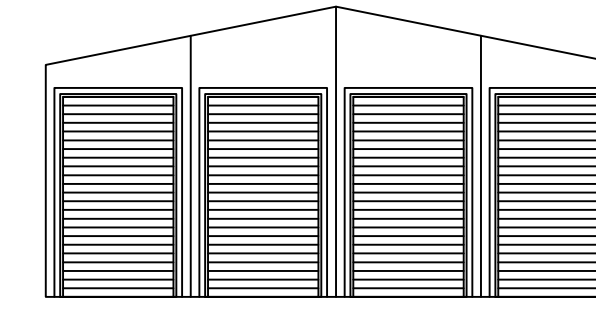
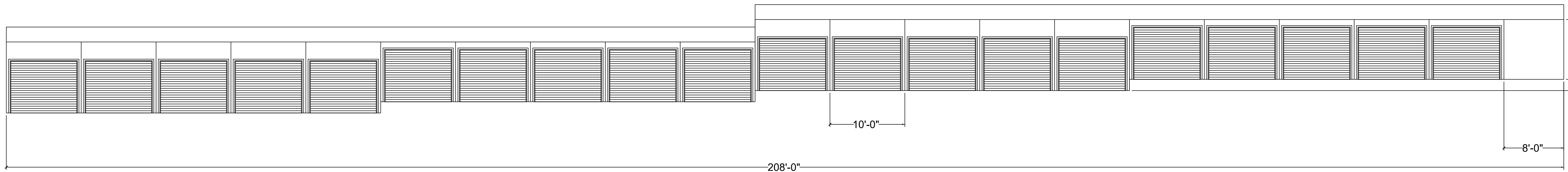


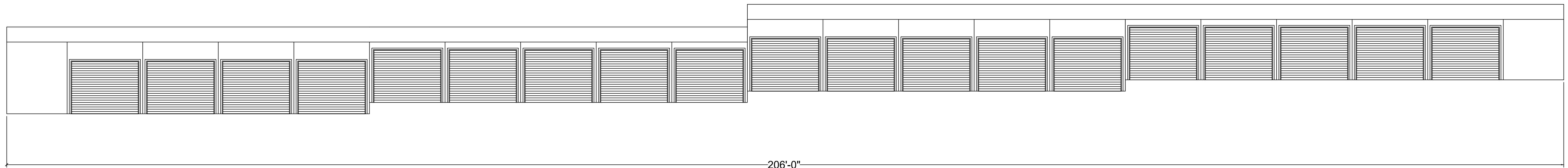
BUILDING "A" 14 UNITS



END WALL FOR  
BUILDING "A",  
"B", "C"



BUILDING "B" 44 UNITS



BUILDING "C" 46 UNITS

JUNE 27, 2023

RAIMONDI, FRANK

C1-3

