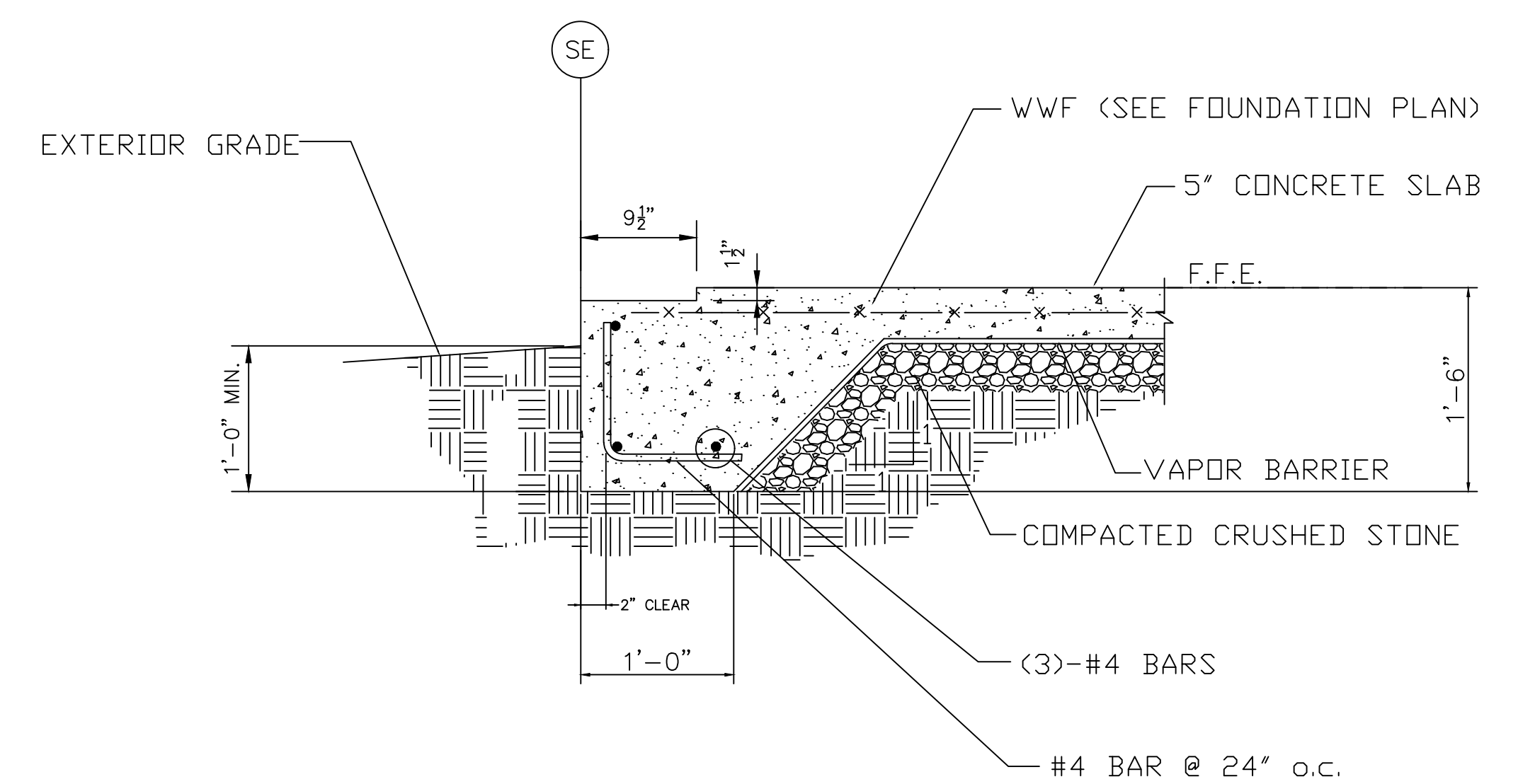


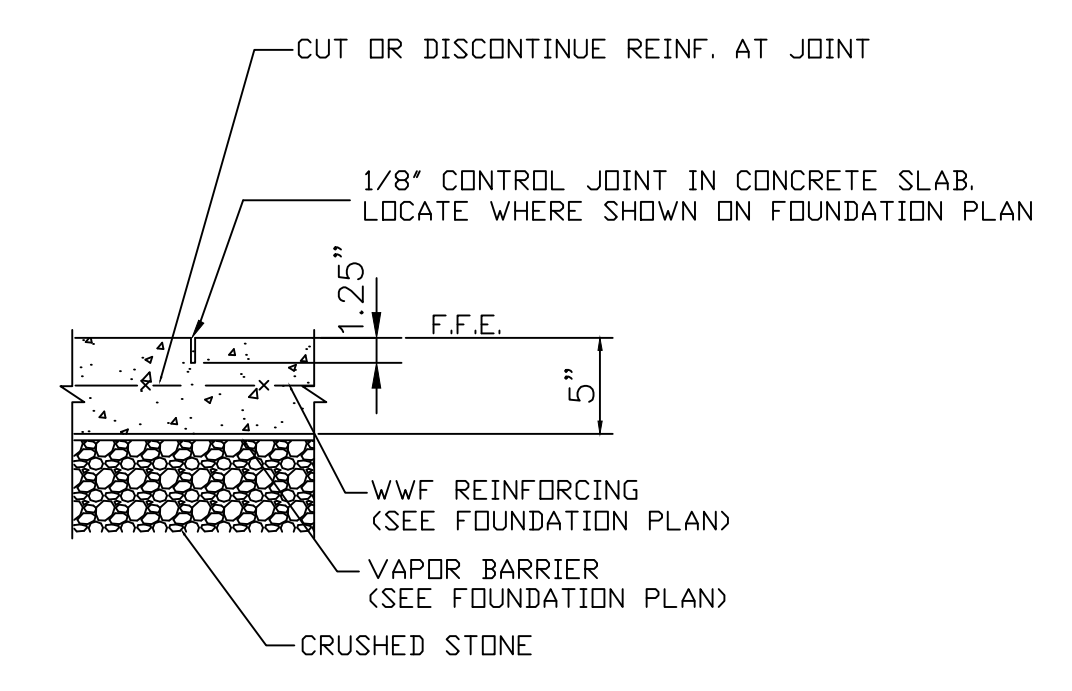
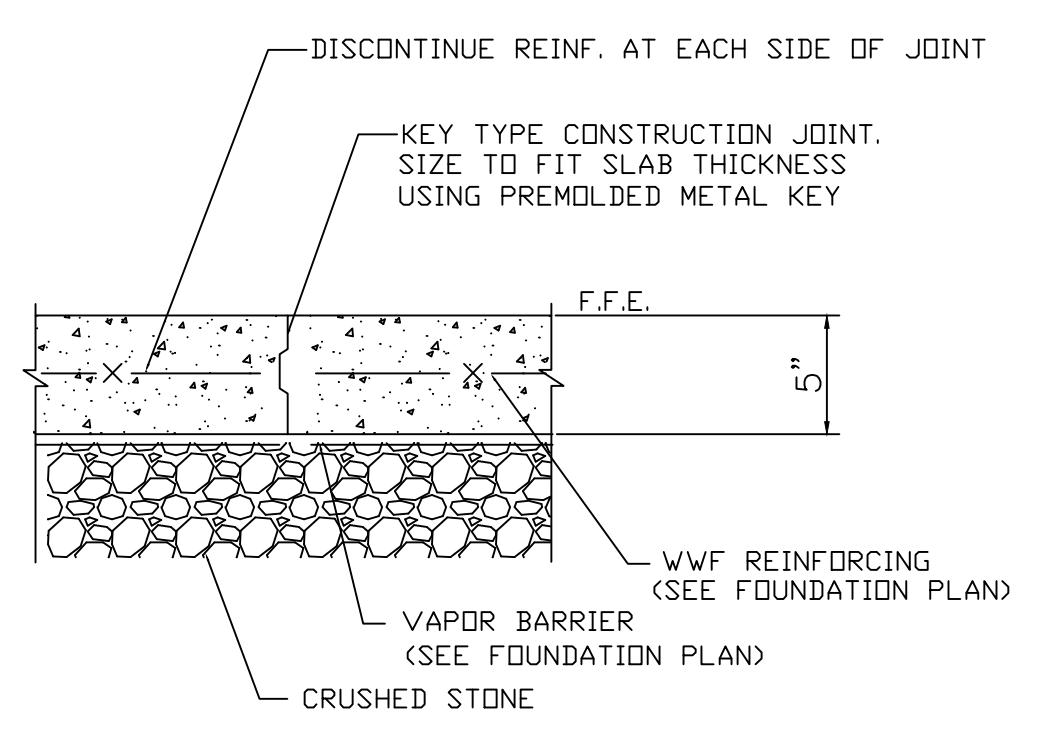
STORAGE FACILITY
DEVELOPMENT
 305 WEST ECONOMY ROAD
 MORRISTOWN, TN. 37814
MR. BARAK ZUKERMAN
 23025



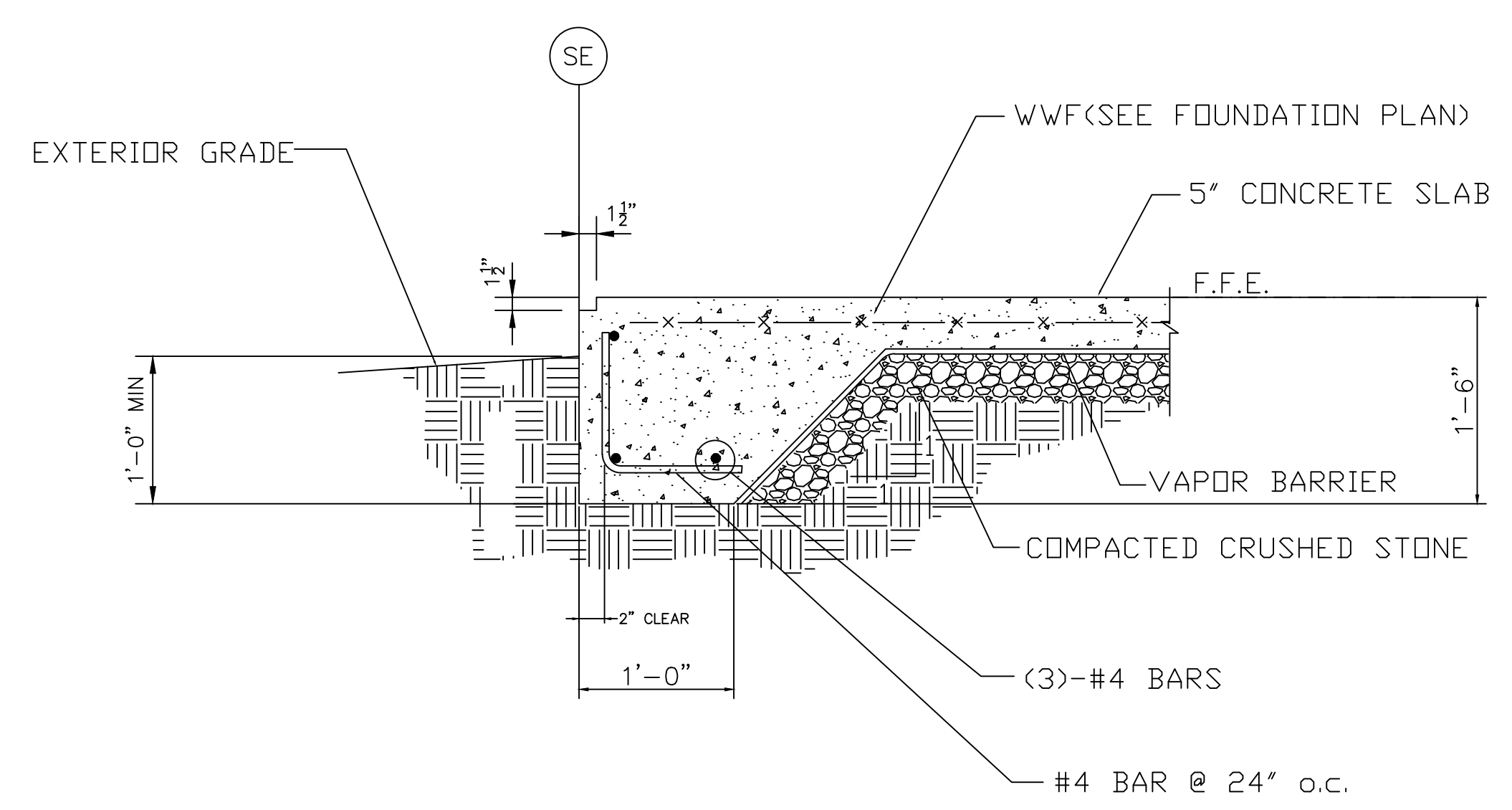
R. LEN JOHNSON & ASSOCIATES
 Architects, Construction Analysts & Inspectors
J & A
 724 TAYLOR ROAD, KNOXVILLE, TN 37920 (VOL) 573-1148



A SLAB TURNDOWN SECTION AT FND SLAB EDGE
 S5 SCALE: 1 1/2"=1'-0"



C SLAB JOINT DETAILS
 SCALE: 1 1/2"=1'-0"



B SLAB TURNDOWN SECTION AT FND SLAB EDGE
 S5 SCALE: 1 1/2"=1'-0"

Drawing Description...
STRUCTURAL SLAB FOUNDATION SLAB SECTIONS AND DETAILS

REVISIONS	
No.	Date
0	CONSTRUCTION ISSUE 11/17/2023

Plot Scale 1/8" = 1'-0"
 Drn. JT
 Appd. JCT
 Project No. 23025
 Date 11/17/2023
 Sh. No. 5
 of 5

CSE
 CONSULTANTS
 CIVIL STRUCTURAL ENGINEERING
 10708 FARRAGUT HILLS BLVD
 KNOXVILLE, TENNESSEE 37934

S5
 of X